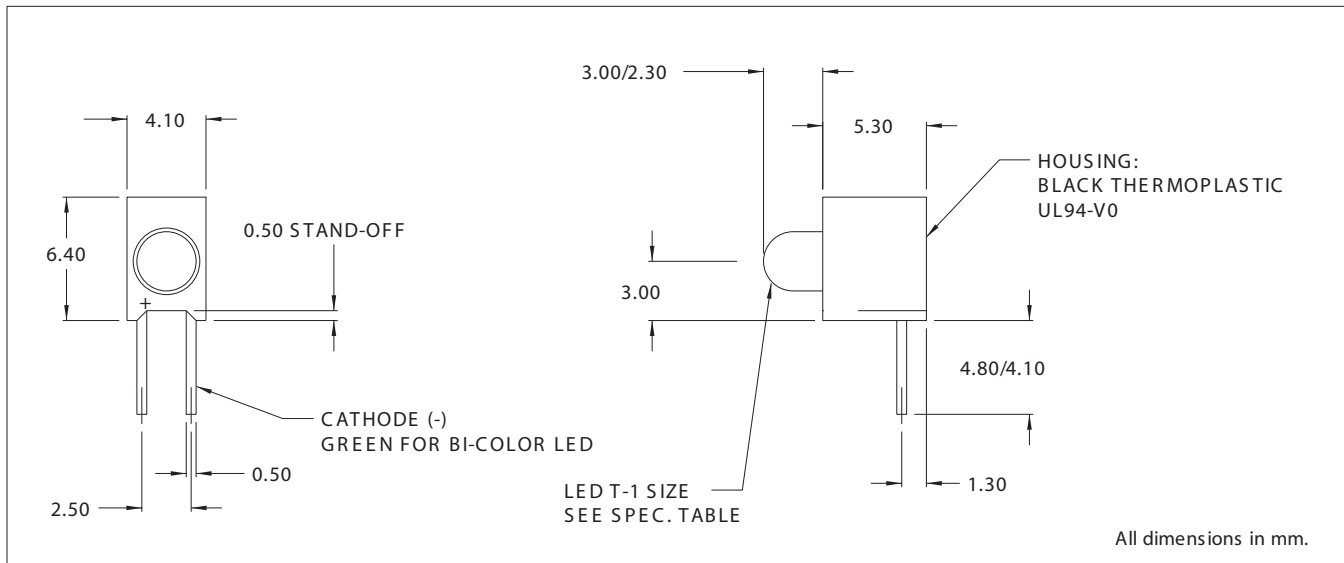


## 5608 Series T-1 Right Angle LED Assembly Description and Features



### Features

- T-1 size right angle block preassembled and tested.
- Super Brite and High Brite LEDs.
- High light output - diffused lens.

Note: Alternate LEDs are also available in this package as a standard variation.  
Refer to "Mounting Hold Pattern 2.pdf"

## Electro-Optical Characteristics and Ratings

Part Number	Emitted Color	Typical Intensity (mcd)	Rated Current (mA)	Continuous Forward Current Max. (mA)	Forward Voltage		Reverse Breakdown Voltage Min. (V)	Peak Wavelength (nm)
					Typ. (V)	Max. (V)		
5608F1	Red	65	20	20	1.8	2.2	5	645
5608F5	Green	45	20	20	2.3	3.0	5	565
5608F7	Yellow	45	20	25	2.2	3.0	5	583